

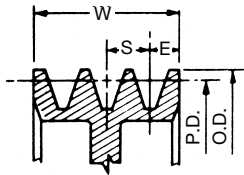
D Conventional Stock QD Sheaves



V-BELT DRIVES

Dimensions in inches, weight in pounds

3 Groove											4 Groove										
F = 4 5/16											F = 6 1/16										
Part Number	PD D Belt	OD	Type	Bush	Bush Max. Bore	E	K	L Thru Bore	M	Wt. Less Bush	Part Number	Type	Bush	Bush Max. Bore	E	K	L Thru Bore	M	Wt. Less Bush		
3 D 120 F	12.0	12.6	A-2	F	3 3/16	1/2	1 1/2	3 3/8	1/2	58.0	4 D 120 F	A-2	F	3 15/16	1 1/16	2 5/16	3 3/8	1 1/8	68.0		
3 D 130 F	13.0	13.6	A-2	F	3 3/16	1/2	1 1/2	3 3/8	1/2	63.0	4 D 130 F	A-2	F	3 3/16	1 1/16	2 5/16	3 3/8	1 1/8	78.0		
3 D 135 F	13.5	14.1	A-2	F	3 3/16	1/2	1 1/2	3 3/8	1/2	68.0	4 D 135 F	A-2	F	3 3/16	1 1/16	2 5/16	3 3/8	1 1/8	82.0		
3 D 140 F	14.0	14.6	A-2	F	3 3/16	1/2	1 1/2	3 3/8	1/2	71.0	4 D 140 F	A-2	F	3 3/16	1 1/16	2 5/16	3 3/8	1 1/8	91.0		
3 D 145 F	14.5	15.1	A-2	F	3 3/16	1/2	1 1/2	3 3/8	1/2	82.0	4 D 145 F	A-2	F	3 3/16	1 1/16	2 5/16	3 3/8	1 1/8	93.0		
3 D 150 F	15.0	15.6	A-2	F	3 3/16	1/2	1 1/2	3 3/8	1/2	86.0	4 D 150 F	A-2	F	3 3/16	1 1/16	2 5/16	3 3/8	1 1/8	99.0		
3 D 155 F	15.5	16.1	A-2	F	3 3/16	1/2	1 1/2	3 3/8	1/2	93.0	4 D 155 F	A-2	F	3 3/16	1 1/16	2 5/16	3 3/8	1 1/8	111.0		
3 D 160 F	16.0	16.6	A-2	F	3 3/16	1/2	1 1/2	3 3/8	1/2	95.0	4 D 160 F	A-2	F	3 3/16	1 1/16	2 5/16	3 3/8	1 1/8	122.0		
3 D 180 J	18.0	18.6	A-3	J	4 1/2	0	1 3/8	4 1/2	1/8	105.0	4 D 170 J	A-2	J	4 1/2	1 1/8	2 5/8	4 1/2	3/8	136.0		
3 D 200 J	20.0	20.6	A-2	J	4 1/2	0	1 3/8	4 1/2	1/8	148.0	4 D 180 J	A-3	J	4 1/2	1 1/8	2 5/8	4 1/2	3/8	141.0		
3 D 220 J	22.0	22.6	A-3	J	4 1/2	0	1 3/8	4 1/2	1/8	164.0	4 D 200 J	A-2	J	4 1/2	3/8	1 3/8	4 1/2	1 3/16	167.0		
3 D 270 J	27.0	27.6	A-3	J	4 1/2	0	1 3/8	4 1/2	1/8	180.0	4 D 220 J	A-3	J	4 1/2	3/8	1 3/8	4 1/2	1 3/16	183.0		
3 D 330 J	33.0	33.6	A-3	J	4 1/2	0	1 3/8	4 1/2	1/8	195.0	4 D 270 J	A-3	J	4 1/2	3/8	1 3/8	4 1/2	1 3/16	222.0		
3 D 400 J	40.0	40.6	A-3	J	4 1/2	0	1 3/8	4 1/2	1/8	260.0	4 D 330 M	B-3	M	5 1/2	1/2	1 15/16	6 1/4	1 3/16	315.0		
											4 D 400 M	B-3	M	5 1/2	1/2	1 15/16	6 1/4	1 3/16	337.0		



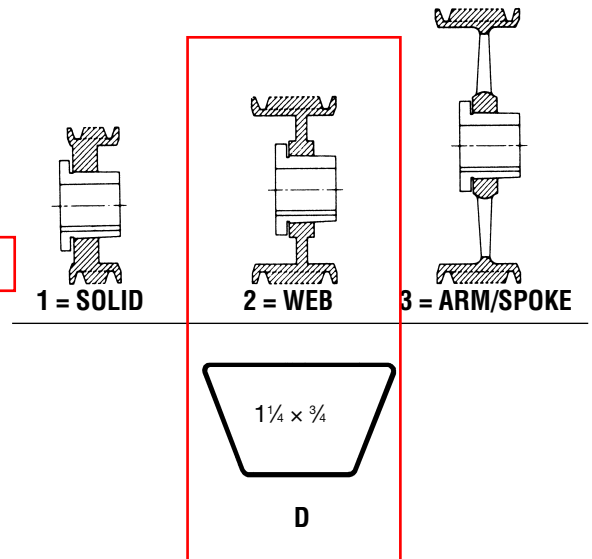
Groove Dimensions

Belt Section	E	S	O.D.
"D"	3/8	1 1/16	P.D. + .60

W = S(N-1) + 2E
N = No. of Grooves

Dimensions in inches, weight in pounds

5 Groove										
F = 7 1/2										
Part Number	PD D Belt	OD	Type	Bush	Bush Max. Bore	E	K	L Thru Bore	M	Wt. Less Bush
5 D 120 F	12.0	12.6	A-2	F	3 3/16	2 1/16	3 3/8	3 3/8	1 19/16	87.0
5 D 130 F	13.0	13.6	A-2	F	3 3/16	2 1/16	3 3/8	3 3/8	1 19/16	88.0
5 D 135 F	13.5	14.1	A-2	F	3 3/16	2 1/16	3 3/8	3 3/8	1 19/16	92.0
5 D 140 F	14.0	14.6	A-2	F	3 3/16	2 1/16	3 3/8	3 3/8	1 19/16	96.0
5 D 145 F	14.5	15.1	A-2	F	3 3/16	2 1/16	3 3/8	3 3/8	1 19/16	111.0
5 D 150 F	15.0	15.6	A-2	F	3 3/16	2 1/16	3 3/8	3 3/8	1 19/16	115.0
5 D 155 F	15.5	16.1	A-2	F	3 3/16	2 1/16	3 3/8	3 3/8	1 19/16	121.0
5 D 160 F	16.0	16.6	A-2	F	3 3/16	2 1/16	3 3/8	3 3/8	1 19/16	128.0
5 D 170 J	17.0	17.6	A-2	J	4 1/2	3/8	1 3/8	4 1/2	2 3/8	135.0
5 D 180 J	18.0	18.6	A-3	J	4 1/2	3/8	1 3/8	4 1/2	2 3/8	148.0
5 D 200 J	20.0	20.6	A-3	J	4 1/2	3/8	1 3/8	4 1/2	2 3/8	184.0
5 D 220 J	22.0	22.6	A-3	J	4 1/2	3/8	1 3/8	4 1/2	2 3/8	202.0
5 D 270 M	27.0	27.6	A-3	M	5 1/2	1/2	1 15/16	6 1/4	1/4	250.0
5 D 330 M	33.0	33.6	A-3	M	5 1/2	1/2	1 15/16	6 1/4	1/4	280.0
5 D 400 M	40.0	40.6	A-3	M	5 1/2	1/2	1 15/16	6 1/4	1/4	380.0



Weights do not include bushings. See page B-7 for additional bushing dimensions.